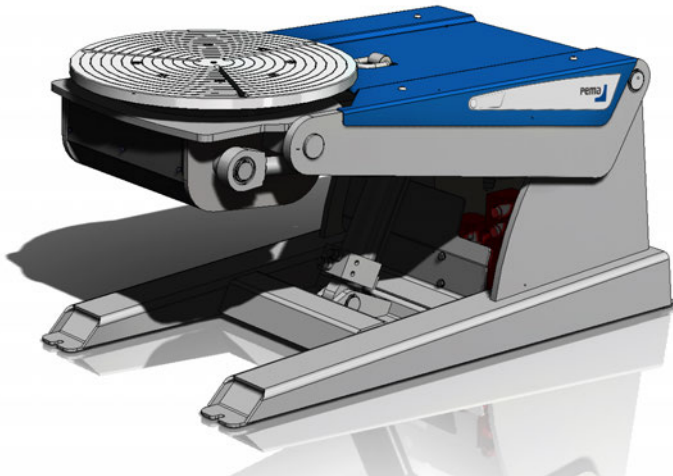


SKYMASTER SERIES

APS 1500

THREE-AXIS POSITIONER, 1500 kg CAPACITY

Pema
WELDING AUTOMATION



Technical data

Max. load (N)	15000
Rotation speed (rpm)	0,07-1,3
Max. rotational torque (Nm)	1000
Tilting torque (Nm)	3000
Tilting / angle (°)	hydr 135
Tilting time 0-max angle (s)	25
Table plate diameter (mm)	700
T-slots on table plate	3x M12 DIN508
Max.welding current (A)	700
Height min-max (mm)	780-1550
Width (mm)	810
Length (mm)	1640
Weight (kg)	730
Mains supply cable length (m)	12
Mains supply connection 50 Hz	3x400V+N+PE
Power (A)	16

Due to continuous R&D, Pemamek Ltd reserves the right to change the specification without notice.

PEMA SKYMASTER SERIES

PEMA Skymaster positioner for extra-heavy work. The height, tilt and rotating speed of work-piece are fully adjustable.

- Work-pieces can be set to the best possible welding positions. As a result welding productivity can be raised significantly.

- Hundreds of man-hours saved yearly compared to manual work-piece handling. With PEMA Skymaster these hours can be used on actual productive work.

- Always the optimal dimensions for your product on purposes. Standard selection from 250 kg up to 35,000 kg.

- Large movements - compact in size
- Precise hydraulic 3-axis movements
- Remote control for all functions
- Integration to other PEMA solutions
- Safety valves in hydraulic system
- Digital RPM-display
- Self-locking gears
- Extensive world-wide PEMA service
- Fast delivery and production start-up

BETTER PRODUCTIVITY

Lift , rotate or tilt the workpiece. Skymaster guarantees optimal working position, always.

IMPROVED QUALITY

Good ergonomics and safety secure welder's high motivation and working quality.

DESIGNED TO LAST

Engineered to endure even the most robust conditions. Partner that will not let you down.

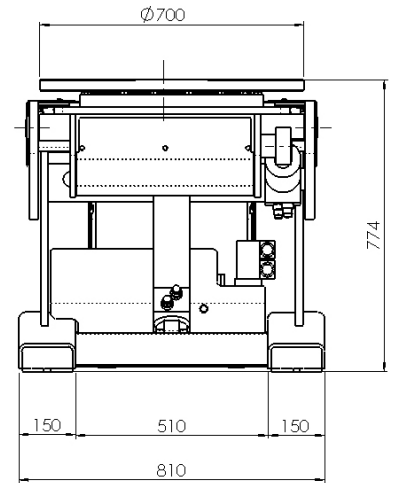
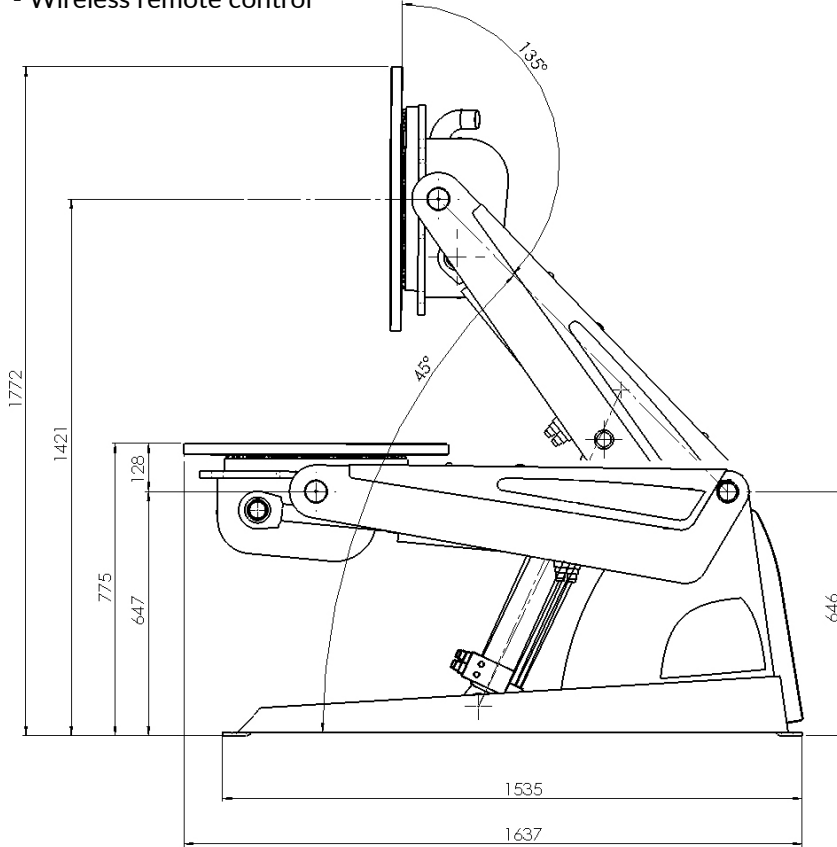


Optional accessories

- Foot pedal for start/stop of rotation
- Foot pedal for speed control of rotation
- External control of rotation
- Wireless remote control



Wired RC32H-remote included.



LOAD CAPACITY DIAGRAMS

